



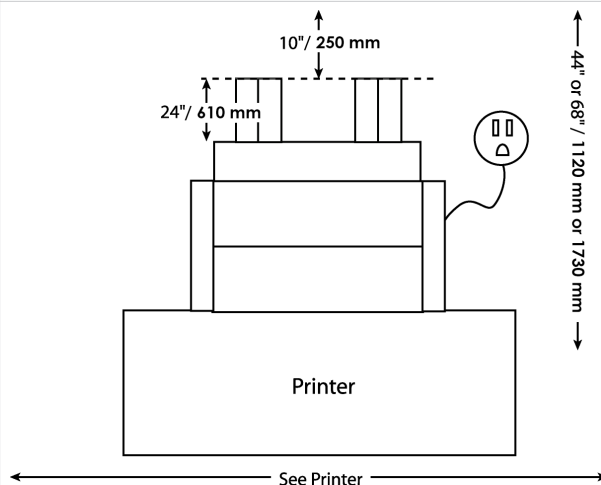
KIP 1200 SPECIFICATIONS



Space, Electrical, and Environmental Requirements

Compatible with	KIP 71 Series, KIP 75 Series, KIP 79 Series
Weight	80 kg
Dimensions	1040 mm (w) x 860 mm (d) x 740-860 mm (h)
Print Rack	Adjustable to fit E size / A0 prints
Minimum Distance from Wall	
Rear	250 - 860 mm
Left	150 mm
Right	150 mm
Front	See Printer Spec
Total Space	1350 mm (w) x 1730 mm (d)
Electrical (Dedicated)	120 V, 5 Amps
Print Rack	Capacity: Up to 1000 sheets (20 lb./75 gsm Plain Bond Paper)

Spatial Requirements





KIP 700 / KIP 900 SERIES STACKER SPECIFICATIONS



Space, Electrical, and Environmental Requirements

Compatible with	KIP 750, 755, 760, 765, 770, 775, 780, 785, 790, 795 KIP 970, 980, 990
Capacity	Up to 700 ISO standard page size documents (20# 70-90gms Bond)
Wait Time	None
Power Supply	Connection to printer, no additional power is required
Power Consumption	Included with printer specifications (2A)
Noise	Less than 60db (impulse)
Dimensions	1,027mm (W) x 1,245mm (D) x 1,120mm (H) (with trays extended)
Weight	151 Kgs

Spatial Requirements	<p>The diagram illustrates the spatial requirements for the printer and stacker. The printer is positioned at the bottom, and the stacker is mounted on top. The printer has a width of 41 inches (1,027mm). The stacker has a depth of 49 inches (1,245mm). The total height from the printer base to the top of the stacker is 81 inches (2,040mm). The height of the stacker's paper tray is 32 inches (800mm).</p>
----------------------	--

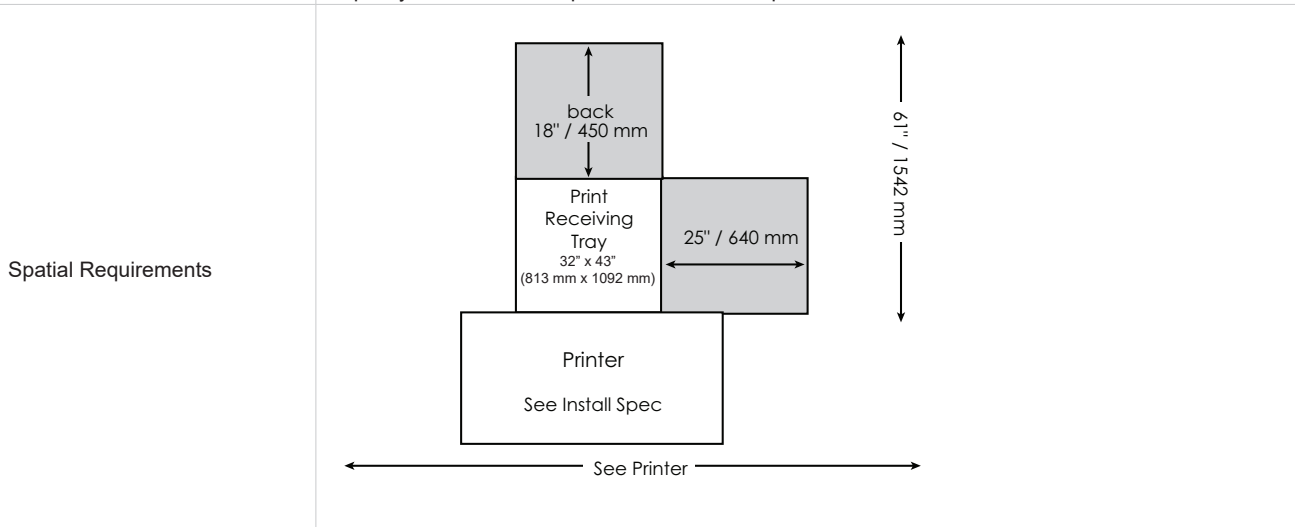


REAR PRINT RECEIVING TRAY



Space, Electrical, and Environmental Requirements

Compatible with	KIP 71 Series
Dimensions	813 mm (w) x 1092 mm (d)
Minimum Distance from Wall rear (with flat output down)	450 mm
Left	N/A
Right	640 mm
Front	See Printer Spec
Print Rack	Capacity: 100 D / A1 size prints, 75 E / A0 size prints



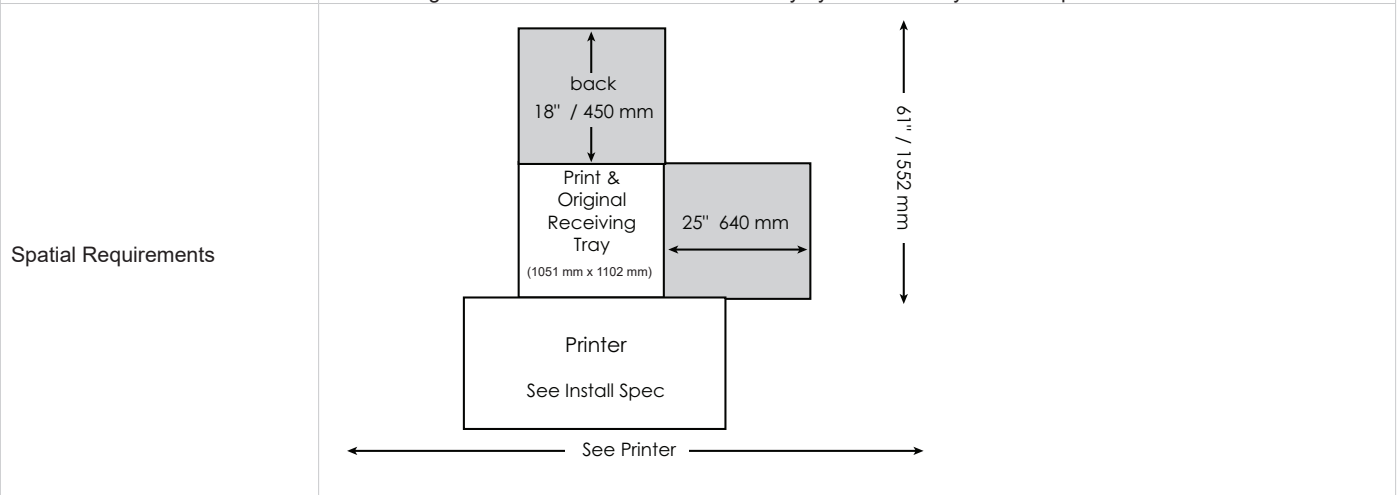


KIP PRINT AND ORIGINAL RECEIVING TRAY



Space, Electrical, and Environmental Requirements

Compatible with	KIP 71 Series
Weight	18 kg
Dimensions	1,051 mm (w) x 1,102 mm (d) x 1,192 mm (h)
Minimum Distance from Wall rear (with flat output down)	450 mm
Left	N/A
Right	640 mm
Front	See Printer Spec
Print Rack	Adjustable to fit up to 100 (with modification on next page) A – E / A4 - A0 size prints plain paper
Scan Rack	10 sheets A – E / A4 - A0 size prints plain paper NOTE: Originals should be moved toward the tray by hand at every scan completion.

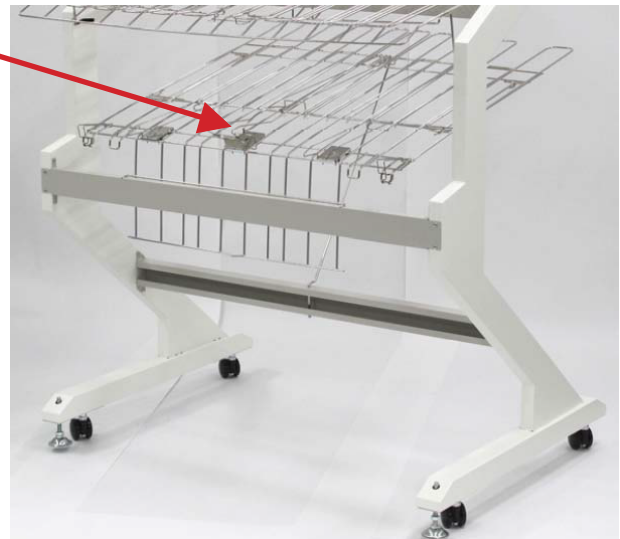
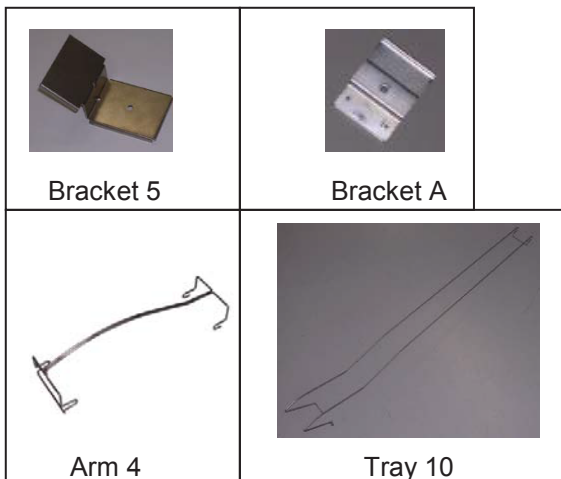




ORIGINAL & PRINT TRAY ADJUSTMENT PROCEDURE

These instructions show how to increase the print capacity of the KIP 71 Series Print Receiving tray to up to 100 sheets. NOTE: The total stacking capacity may vary due to environmental conditions, media type and weight

1. Remove the following 4 items from the centre of the KIP 7170 Print Receiving tray.



2. Print Receiving Tray without centre guides



3. 100 D-size / A1 prints stacked



NOTE: The centre guides are used to prevent the prints from rolling up as they exit the printer. This can occur in high humidity environments and or near the end of a paper roll where the curl is more progressive. Reinstall the centre guides if necessary.